

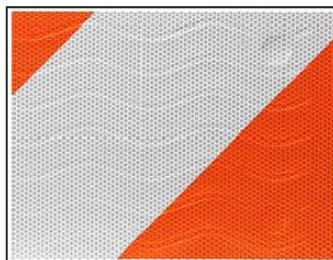
Neubert Aero Corp.

GA Airport Low-Profile Barricade NAC- AB812L "NO ENTRY"



NAC-AB812L (8 ft.)

Breakaway/Collapsible Design



US Patent D486250 - Canada© D103770

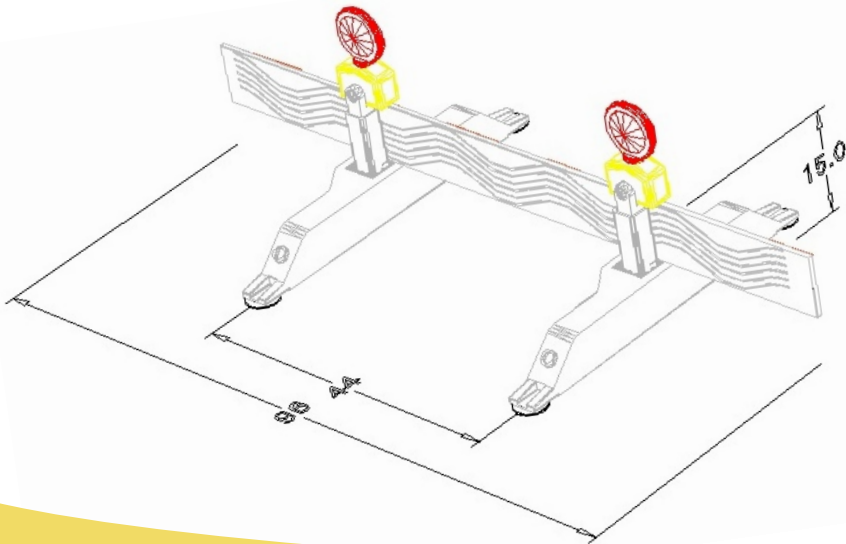
NCHRP-350 Approved
Meets Federal Aviation Administration Specifications

NAC
NEUBERT AERO CORP.
Airport Products & Services



GA airport single taxiway barricade

NAC-AB812L



Product Assembly

- ◆ Barricade is constructed of two PSS Anchor™ (sand-filled or optional water-filled) bases and one PSS Wave™ high performance barricade board
- ◆ Total weight of constructed barricade
Empty = 20 lbs
Sand Filled = up to 106 lbs

Features

- ⇒ Shipped complete and require very little assembly
- ⇒ Each panel (standard 8' length) is clearly marked with high reflective grade tape
- ⇒ Sealed board ends increase strength and keep out dirt & moisture
- ⇒ Frangible mount
- ⇒ Rubber nonskid pads for increased stability
- ⇒ Convenient oversized sand fill hole (water fill optional)
- ⇒ U.V. stabilized for longer life
- ⇒ Standard DOT Red 3 way 6 volt light(s)
- ⇒ Ergonomic handle for ease of mobility and carrying
- ⇒ Designed to FAA AC 150/5340-1H & 150/5370-2E specifications and performance standards

Options

- ⇒ Solar DOT Red safety light (3 way)
- ⇒ 360 lens DOT Red 6 volt light (3 way)
- ⇒ Reflective panel also available in 6' length
- ⇒ Easily mounts 10X10 orange mesh safety flags



for more information please call
727.538.8744
or visit our website
www.airportnac.com



NAC is the exclusive distributor of the AB812L barricade

©2006 Neubert Aero Corp. - Certified SDVSB

14141 46TH Street N., Suite 1206
Clearwater, FL 33762
FX: 727.538.8765
Email: info@airportnac.com