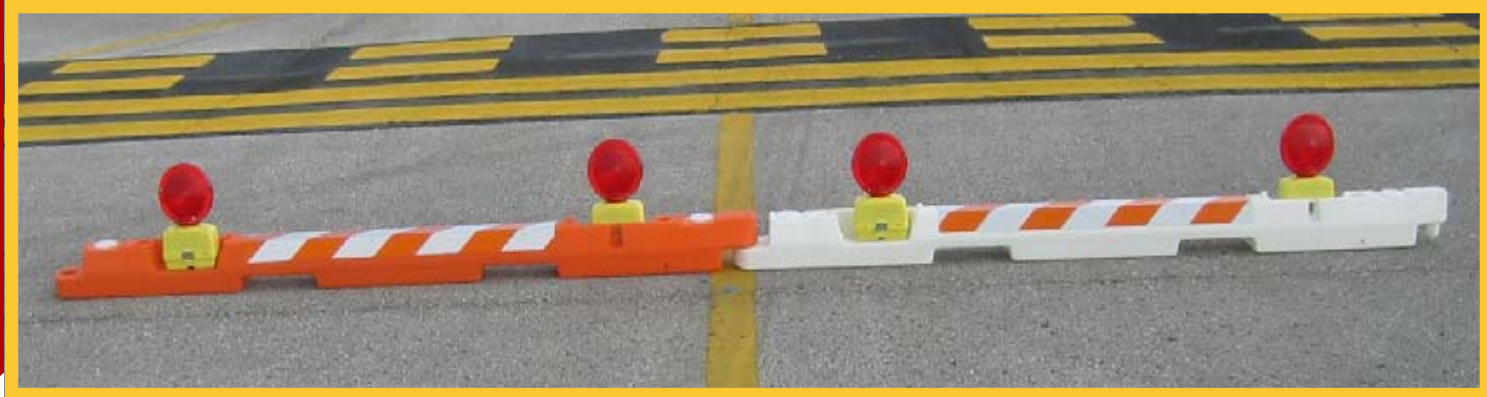


Neubert Aero Corp.

Airport Low-Profile Barricade NAC- PC9642 (US Patent No. US D608,017 S)



NAC-PC9642

(US Patent No. US D608,017 S)

How are you marking your Taxiway CLOSED?

WHEN YOU NEED RELIABLE AND AFFORDABLE
AIRPORT BARRICADES USE ONLY

NAC PC9642 (8 ft.)

(US Patent No. US D608,017 S)



NCHRP-350 Approved
Meets Federal Aviation Administration Specifications

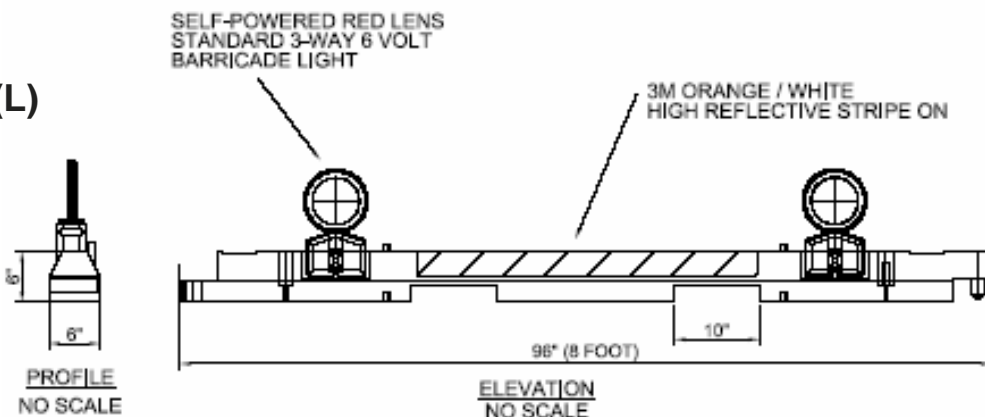
NAC 
NEUBERT AERO CORP.
Airport Products & Services

New 8 ft. airport barricade

NAC-PC9642 (US Patent No. US D608,017 S)

Product Information

- ◆ Size: 6" (H) x 6" (W) x 96" (L)
- ◆ Weight Empty = 18 lbs
- ◆ Weight Full
 - Sand Filled = up to 120 lbs
 - Water Filled = up to 72 lbs
- ◆ Gallon Capacity = 10 gallon



Features

- ⇒ Shipped complete and require very little assembly
- ⇒ Each panel (42" length) 3M high reflective grade tape
- ⇒ Frangible and collapsible
- ⇒ Filled with water or sand
- ⇒ Multiple configurations
- ⇒ Self-connecting "No Connecting Pins Required"
- ⇒ U.V. stabilized for longer life
- ⇒ Made from durable recyclable polyethylene plastic
- ⇒ Designed to FAA AC 150/5340-1H & 150/5370-2E specifications

Options

- ⇒ Solar DOT Red safety light (3 way)
- ⇒ 360 Omni Red safety light (3 way)



Use any light or flag configuration

for more information please call
727.538.8744
or visit our website
www.airportnac.com



14141 46th Street N., Suite 1206
Clearwater, FL 33762
FX: 727.538.8765
Email: info@airportnac.com